

TABLE TOP MIXER



STANDARD



Stainless Steel Dough Hook



Stainless Steel Flat Beater



Stainless Steel Whip



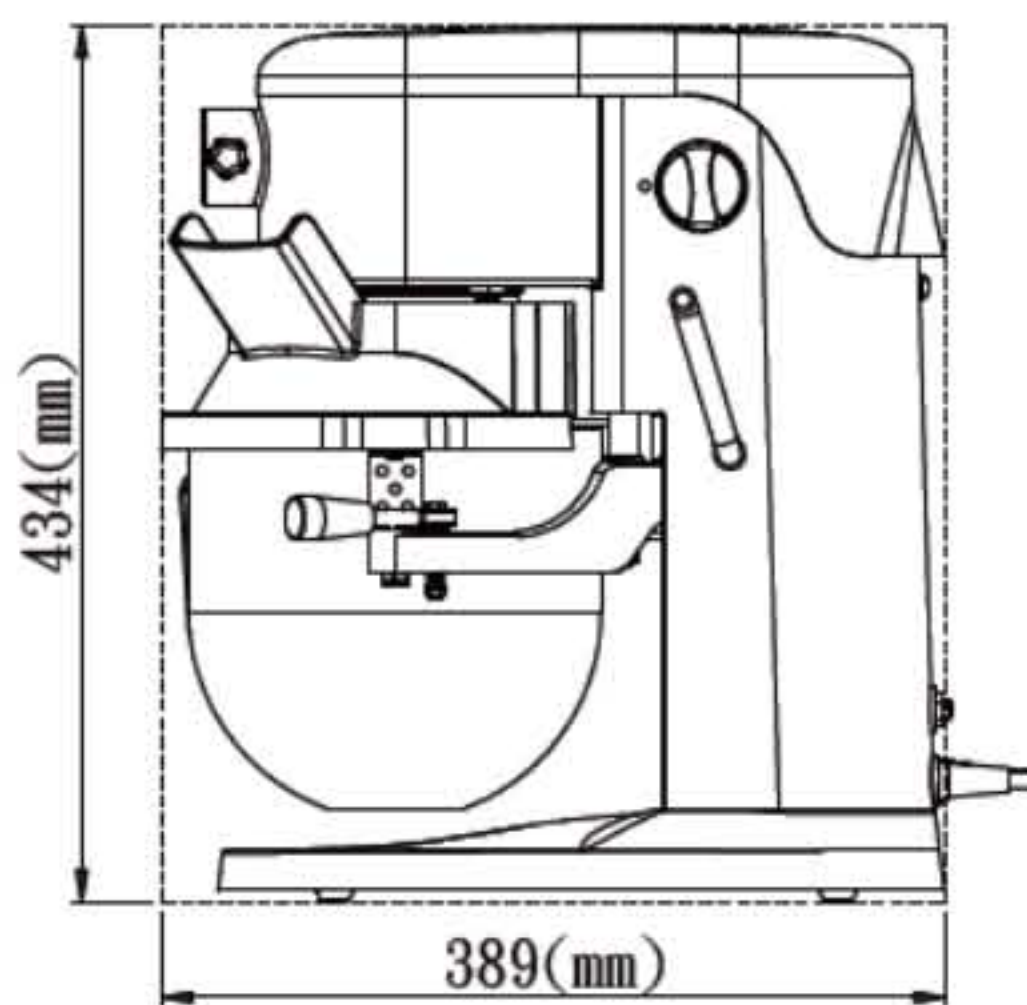
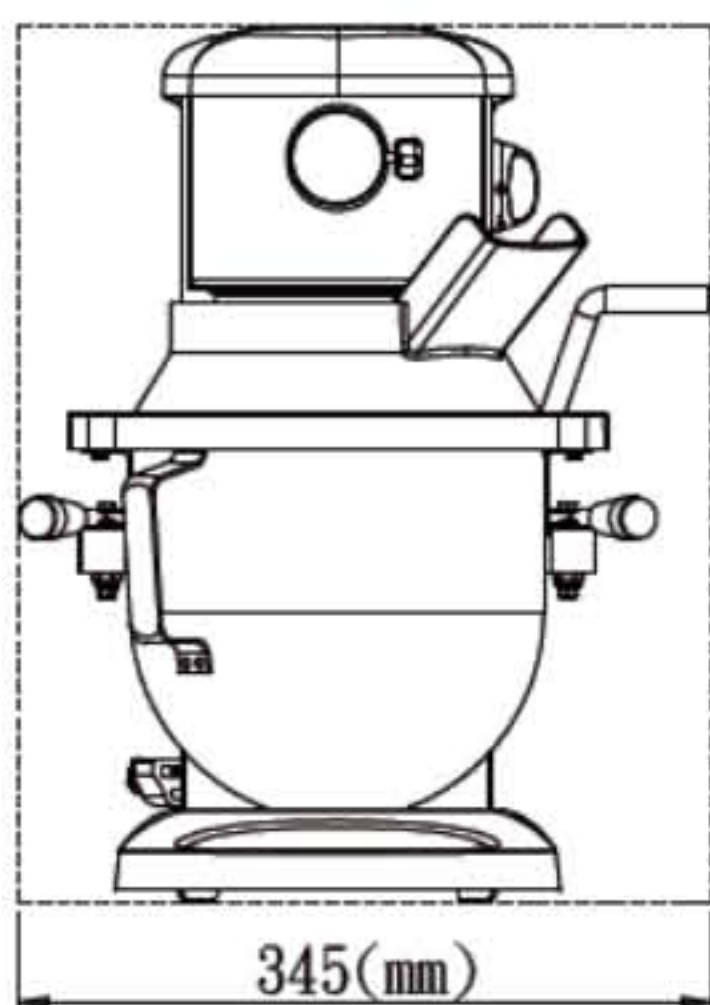
Stainless Steel Bowl



Pastry Spatula



Safety Guard




SP-502A 5 Liter



- Heat Hardening Steel Gear Driven Transmission for 10 Variable Speeds
- Convenient for Whipping Small Mixing Requirements of Egg Whites (2 Eggs)
- #10 Hub is Suitable for Optional Accessories: Dough Sheeter, Meat Mincer
- Light and Handy, Compact Size Design for Kitchen Space
- 1 HP DC Carbon Brush Motor
- Overload Reset Button for Motor Protection
- Maximum 750g Flour Capacity

SPECIFICATION

MODEL	Capacity	Motor Power	Voltage 60HZ/50HZ	Weight (N. W.)	Package L x W x H (mm)	Agitator R.P.M	Reduction Accessories	Mincer Attachment	Veget Attachment
SP-502A	5 Liter	750W	110V/220V	15KGS	470 x 370 x 520	70~490			
SP-800A	8 Liter	1/3 HP	110V/220V	25KGS	500 x 350 x 650	132/224/421			
SP-100A	10 Liter	1/3 HP	110V/220V	100KGS	580 x 460 x 940	105/195/354		VH-12	V99S
SP-200A	20 Liter	1/2 HP	110V/220V	92KGS	600 x 560 x 1070	105/195/354	10 Liter	VH-12	V99S
SP-22HA	25 Liter	3/4 HP	110V/220V	116KGS	640 x 560 x 1120	98/177/341	10 Liter	VH-12	V99S
SP-30HA	30 Liter	1.0 HP	220V/380V	195KGS	730 x 670 x 1370	93/165/319	20 Liter	VH-12	V99S
SP-34HA	40 Liter	1.25 HP	220V/380V	220KGS	730 x 670 x 1370	93/165/319	20 Liter	VH-12	V99S
SP-40HA	40 Liter	1.5 HP	220V/380V	260KGS	820 x 700 x 1500	90/161/291	20 Liter	VH-12	V99S
SP-50HA	50 Liter	2 HP	220V/380V	275KGS	820 x 700 x 1500	90/161/291	20 Liter	VH-12	V99S
SP-60HA	60 Liter	3 HP	220V/380V	285KGS	850 x 710 x 1500	83/149/267	30 & 40 Liter	VH-12	V99S
SP-B80HI	80 Liter	3 HP	220V/380V/415V 50/60HZ 3PH	400KGS	1220 x 880 x 1770	62/108/182/320	40 & 60 Liter	VH-12	V99S

 Note : 60Hz and other voltages are available, please specify voltage and phase when ordering.

CAPACITY

Ingredients	Speed	SP-502A	SP-800A	SP-100A	SP-200A	SP-22HA	SP-30HA	SP-34HA	SP-40HA	SP-50HA	SP-60HA	SP-B80HI
Kitchen Single Batches												
Waffle/Hot Cake Batter		2Qts/1.9L	3Qts/2.8L	5Qts/4.7L	8Qts/7.8L	10Qts/9.5L	12Qts/11.6L	16Qts/15.2L	16Qts/15.2L	20Qts/19L	24Qts/22.8L	30Qts/28.4L
Whipped Cream		3Pts/32.4L	4Pts/43.2L	2Qts/1.9L	4Qts/3.8L	5Qts/4.7L	6Qts/5.7L	9Qts/8.6L	9Qts/8.6L	11Qts/10.5L	12Qts/11.6L	16Qts/15.1L
Mashed Potatoes		3lbs/1.4Kg	4lbs/1.8Kg	8lbs/6Kg	15lbs/6.8Kg	18lbs/8.2Kg	23lbs/10.4Kg	30lbs/13.6Kg	30lbs/13.6Kg	35lbs/16Kg	40lbs/18.2Kg	50lbs/22.7Kg
Egg White		0.5Pt/2.7L	0.75Pt/3.5L	1Pt/10.8L	1Qt/0.9L	1.25Qt/1.2L	1.5Qt/1.4L	1.75Qt/1.6L	1.75Qt/1.6L	2Qt/1.9L	2.25Qt/2.1L	2Qt/1.9L
Meringue (Qty of water)		0.25Pts/1.35L	0.5Pts/2.7L	0.75Pts/3.5L	1.5Pts/7L	1.75Pts/14.3L	1Qt/0.9L	1.25Qt/1.2L	1.25Qt/1.2L	1.5Qt/1.2L	1.75Qt/1.7L	3Qt/2.8L
Bakery Single Batches												
Raised Donut Dough,65%AR	1st & 2nd	1.7lbs/750g	2lbs/1Kg	4.5lbs/2.05Kg	9lbs/4.1Kg	12lbs/5.4Kg	15lbs/6.8Kg	20lbs/9Kg	25lbs/11.4Kg	40lbs/18.2Kg	60lbs/27.2Kg	80lbs/36.2Kg
Heavy Bread Dough,55%AR	1st only	2.4lbs/1.1Kg	3lbs/1.4Kg	7.5lbs/3.4Kg	15lbs/6.8Kg	20lbs/9.1Kg	30lbs/13.6Kg	35lbs/15.9Kg	40lbs/18.1Kg	50lbs/22.7Kg	70lbs/31.8Kg	80lbs/36.2Kg
Bread and Roll Dough,60%AR	1st only	3.7lbs/1.7Kg	5lbs/2.3Kg	12.5lbs/5.7Kg	25lbs/11.4Kg	25lbs/11.4Kg	45lbs/20.4Kg	45lbs/20.4Kg	60lbs/27.3Kg	70lbs/31.8Kg	80lbs/36.3Kg	90lbs/40.8Kg
Pizza Dough, Thin,40%AR	1st only	1.7lbs/750g	2lbs/1Kg	5lbs/2.26Kg	9lbs/4.1Kg	12lbs/5.4Kg	16lbs/7.3Kg	25lbs/11.5Kg	30lbs/13.6Kg	35lbs/16Kg	50lbs/22.6Kg	50lbs/22.6Kg
Pizza Dough, Medium,50%AR	1st only	3lbs/1.4Kg	4lbs/1.8Kg	5lbs/2.25Kg	10lbs/4.5Kg	15lbs/6.8Kg	25lbs/11.4Kg	32lbs/14.5Kg	40lbs/18.1Kg	50lbs/22.7Kg	80lbs/36.3Kg	90lbs/40.8Kg
Pizza Dough, Thick,60%AR	1st only	3.7lbs/1.7Kg	5lbs/2.3Kg	10lbs/4.55Kg	20lbs/9.1Kg	25lbs/11.4Kg	40lbs/18.2Kg	45lbs/20.4Kg	50lbs/22.7Kg	60lbs/27.3Kg	70lbs/31.8Kg	100lbs/45.3Kg
Fondant Icing		2lbs/1Kg	3lbs/1.4Kg	6lbs/2.7Kg	12lbs/5.4Kg	15lbs/6.8Kg	18lbs/8.5Kg	22lbs/10Kg	25lbs/11.4Kg	30lbs/13.6Kg	36lbs/13.6Kg	60lbs/27.2Kg
Cake		4lbs/1.8Kg	6lbs/2.7Kg	10.5lbs/4.8Kg	20lbs/9.1Kg	25lbs/11.4Kg	30lbs/13.6Kg	40lbs/10.2Kg	40lbs/10.2Kg	47lbs/21.4Kg	60lbs/27.2Kg	90lbs/40.8Kg
Pie Dough		3lbs/1.4Kg	4lbs/1.8Kg	10lbs/4.55Kg	18lbs/8.5Kg	22lbs/10Kg	27lbs/12.3Kg	30lbs/13.6Kg	35lbs/15.9Kg	42lbs/19Kg	50lbs/22.7Kg	70lbs/31.7Kg
Pasta, Basic Egg Noodle		1lbs/0.45Kg	2lbs/0.9Kg	3lbs/1.4Kg	5lbs/2.3Kg	6lbs/2.7Kg	8lbs/3.6Kg	15lbs/6.8Kg	17lbs/7.7Kg	22lbs/10Kg	35lbs/15.9Kg	50lbs/22.6Kg