

INDIRECT ELECTRIC BOILING PAN 50 lt WITH AUTOMATIC CONDENSATE DRAIN VALVE

CODICE
CR1356029

MODELLO
D93/10PEI05S

SERIE
DIAMANTE 90



GENERAL CHARACTERISTICS

In addition to offering the maximum choice of solutions and 2 mm thick and 90 cm deep tops, this series has all the power, robustness and functionality you need to work efficiently. External coatings and feet in stainless steel with Scotch Brite finish. Working table height adjustable from 840 to 900 mm. Range modularity: 200-400-600-800-1200 Wide range of accessories.

TECHNICAL SPECIFICATIONS

■ AISI 304 stainless steel tanks with AISI 316 bottom. ■ Water loading by means of 2 solenoid valves, with the possibility of loading cold or hot water. ■ Frontal drain by means of 2" chrome-plated brass faucet. ■ Gas version: heating by means of 2 AISI 304 steel burners, positioned at the bottom of the vessel (direct heating) or in the cavity (indirect heating). ■ Indirect electric version: heating with 2 sets of armoured heating elements positioned inside the cavity. ■ Direct electric version: heating by means of 3 stainless steel heating elements positioned externally on the bottom of the container.

■ Possibility of hot or cold water loading ■ Stainless steel tank with aisi 316 bottom ■ Indirect pans with automatic condensate drain valve ■ Equipment certified for low voltage directive 2014/35/EU according to the international CB scheme. ■ Thanks to the jet-proofing certification (IPX5) obtained through specific tests, knobs and under-knobs can be washed, without compromising functionality and safety.

INDIRECT ELECTRIC BOILING PAN 50 lt WITH AUTOMATIC CONDENSATE DRAIN VALVE

CODICE
CR1356029

MODELLO
D93/10PEI05S

SERIE
DIAMANTE 90

Technical Information

SPECIFICATION	DATA
MATERIAL	CR1356029
DEFINITION	D93/10 PEI05 S PEN.ELE IND.M60 C/VAL 50L
COMMERCIAL LINE	DIAMANTE
SUPPLY	ELECTRICS
DIM. WIDTH	600 mm
DIM. PRODUCTIVITY	900 mm
DIM. HEIGHT	870 mm
NET WEIGHT	147 Kg
VOLUME (net)	0.47
PACKAGE LENGTH	850 mm
PACKAGE WIDTH	1020 mm
PACKAGING HEIGHT	1050 mm
PACKAGE VOLUME	1,100 m3
GROSS PACKING WEIGHT	157 Kg
STANDARD POWER SUPPLY	380-415V 3N
FREQUENCY	50-60 Hz
ELECTRICAL POWER	9.8 kW
IP GRADE	IPX5
CERTIFIED MODEL	D93/10 PEI05
Capacity	50

INDIRECT ELECTRIC BOILING PAN 50 lt WITH AUTOMATIC CONDENSATE DRAIN VALVE

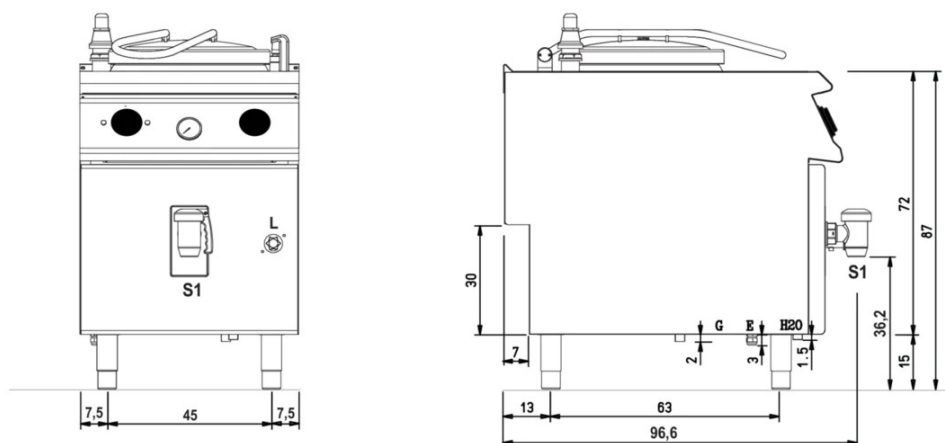
CODICE
CR1356029

MODELLO
D93/10PEI05S

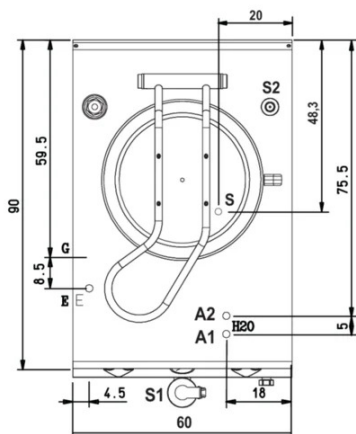
SERIE
DIAMANTE 90

SCHEMA DI INSTALLAZIONE - INSTALLATION DIAGRAM - INSTALLATIONSPLAN - SCHÉMA D'INSTALLATION - ESQUEMA DE INSTALACION -INSTALLATIESCHEMA - IINSTALLATIONSRTNINGAR

MISURE IN cm - DIMENSIONS IN cm - ABMESSUNGEN IN cm
MESURES EN cm - MEDIDAS EN cm - MATEN IN cm



(D) 93/10 PEI05



Legenda - Legende - Key - Légende - Leyenda - Legenda

- H20** Attacchi arrivo acqua - Wasseranschluss - Water inlet - Arrivée eau - Union de agua - Wateraansluiting
A1 = Calda - Heiss - Warm - Chaude - Caliente - Warm
A2 = Fredda - Kalt - Cold - Froid - Fria - Koude
EN ISO 228-1 G 3/4
- E** Pressacavo entrata linea elettrica - Stopfbuchse - Electric cable stress relief
 Presse étoupe de câble él. - Pisacable - Elektrische kabelwartel
- S** Scarico acqua intercapedine - Wasserablauf Zwischenraum - Jacket water drain
 Evacuation eau double enveloppe - Descarga de agua intersticios - Afvoer water tussenruimte
EN ISO 10226-1 R 3/4
- S1** Scarico acqua - Wasserablauf - Water outlet - Vidange de l'eau - Desaguadero - Wateraftapaansluiting
 1 1/2"

INDIRECT ELECTRIC BOILING PAN 50 lt WITH AUTOMATIC CONDENSATE DRAIN VALVE

CODICE
CR1356029

MODELLO
D93/10PEI05S

SERIE
DIAMANTE 90



Possibility of hot or cold water loading



Thanks to the jet-proofing certification (IPX5) obtained through specific tests, knobs and under-knobs can be washed, without compromising functionality and safety.



Stainless steel tank with aisi 316 bottom



Indirect pans with automatic condensate drain valve

Equipment certified for low voltage directive 2014/35/EU according to the international CB scheme.



INDIRECT ELECTRIC BOILING PAN 50 lt WITH AUTOMATIC CONDENSATE DRAIN VALVE

CODICE
CR1356029

MODELLO
D93/10PEI05S

SERIE
DIAMANTE 90

ACCESSORIES

CODE	MODELLO	DESCRIZIONE
MA97347000	9C5	COLANDER BASKET
MA97348000	9CV5	VEGETABLE STRAINER BASKET FOR POT
MA97350900	9C10	COLANDER BASKET
MA97351000	9C15	COLANDER BASKET
MA97352000	9CV10	VEGETABLE STRAINER BASKET FOR POT
MA97353000	9CV15	VEGETABLE STRAINER BASKET FOR POT
MA97354000	9-I10	FUNNEL FOR POT DISCHARGE
MA97355000	9-I15	FUNNEL FOR POT DISCHARGE
MA97349000	9-I5	POWDER DISCHARGE INSTALLATION-50 Lt. HOLES Ø 10-15-36 MM