

80lt ELECTRIC MANUAL BRATT PAN WITH STAINLESS STEEL BOTTOM

CODICE
CR1139509T4W

MODELLO
DT94/10KBEI-T4W

SERIE
DIAMANTE 4.0



GENERAL CHARACTERISTICS

Diamond 90 Touch 4.0 - Everything under control Everything is under control, perfect results every time. Thanks to the practical display, parameter selection is quick and precise. Easy and clear temperature management, and special functions are always visible and accessible from the display. Tradition and innovation, everything on your worktop A new non-slip square and rounded knob design for a more ergonomic grip and an embossed indicator that makes it easier to select the datum to be set. And with the exclusive Encoder Functionality, simply touch the parameter you want, turn the knob to adjust the level and press it to start the set datum. With water- and dirt-proof crown. Quick and precise parameter selection. Easy and clear temperature management. Special functions always visible and accessible from the display. Stainless steel outer shells and feet. Height from worktop adjustable from 840 to 900 mm. Tops with 2 mm thickness All model-identified equipment (T4W) is 4.0 Ready equipment, allowing you to benefit from all the advantages of connecting your equipment to a cloud system.

TECHNICAL SPECIFICATIONS

- Available with iron and stainless steel tanks. ■ Robust, double-walled, self-balancing lids made of stainless steel to reduce heat loss. ■ Water loading via solenoid valve. ■ Cooking temperature controlled by thermostat with adjustment from 100 to 280°C. ■ Manual or motorised lifting. ■ Heating via armoured incoloy heating elements.

- Stainless steel cooking vessel, 10 mm thick. ■ Cooking temperature controlled by thermostat with adjustment from 100 to 280°C. Heating via armoured incoloy heating elements. ■ Industry 4.0 ready version. ■ Possibility of setting 2 timers to control cooking. ■ An acoustic signal alerts the operator at the end of the set time. ■

- Temperature control via touch screen and adjustment with ergonomic knob ■ Predisposition for core probe, for even greater cooking control. ■ Reaching the set core temperature is signalled by an acoustic signal. ■ Robust, double-walled, self-balancing lids made of stainless steel to reduce heat loss. ■ Quick and precise parameter selection. ■ Easy and clear temperature management. ■ Special functions always visible and accessible from the display. ■ Thanks to the jet-proofing certification (IPX5) obtained through specific tests, knobs and under-knobs can be washed, without compromising functionality and safety.

80lt ELECTRIC MANUAL BRATT PAN WITH STAINLESS STEEL BOTTOM

CODICE
CR1139509T4W

MODELLO
DT94/10KBEI-T4W

SERIE
DIAMANTE 4.0

Technical Information

SPECIFICATION	DATA
MATERIAL	CR1139509T4W
DEFINITION	DT94/10 KBEI-T4W BR.80 INOX ELETTRON.
COMMERCIAL LINE	DIAMANTE TOUCH
SUPPLY	ELECTRICS
DIM. WIDTH	800 mm
DIM. PRODUCTIVITY	900 mm
DIM. HEIGHT	870 mm
NET WEIGHT	150 Kg
VOLUME (net)	0.626
PACKAGE LENGTH	840 mm
PACKAGE WIDTH	1020 mm
PACKAGING HEIGHT	1170 mm
PACKAGE VOLUME	1,003 m3
GROSS PACKING WEIGHT	165 Kg
STANDARD POWER SUPPLY	380-415V 3N
FREQUENCY	50-60 Hz
ELECTRICAL POWER	9 kW
IP GRADE	IPX5
CERTIFIED MODEL	DT94/10 KBEI

80lt ELECTRIC MANUAL BRATT PAN WITH STAINLESS STEEL BOTTOM

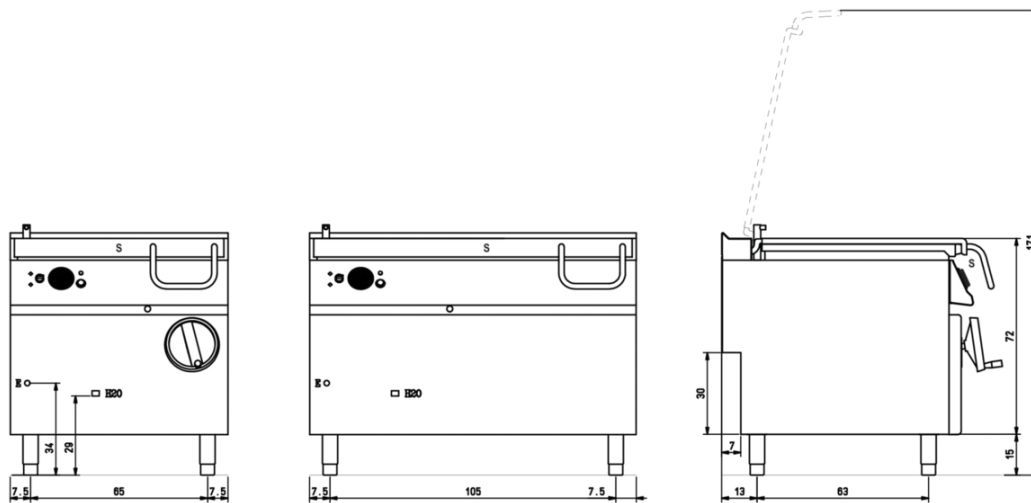
CODICE
CR1139509T4W

MODELLO
DT94/10KBEI-T4W

SERIE
DIAMANTE 4.0

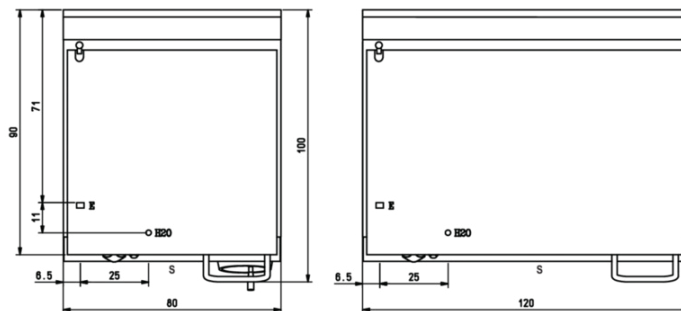
SCHEMA DI INSTALLAZIONE - INSTALLATION DIAGRAM - INSTALLATIONSPLAN - SCHÉMA D'INSTALLATION - ESQUEMA DE INSTALACION - INSTALLATIESHEMA - IINSTALLATIONSRTNINGAR

MISURE IN cm - DIMENSIONS IN cm - ABMESSUNGEN IN cm
MESURES EN cm - MEDIDAS EN cm - MATEN IN cm



(D) 94/10 KBE ...

(D) 96/10 KBE ...



Legenda - Legende - Key - Légende - Leyenda - Legenda

H2O Attacco arrivo acqua - Wasseranschluss - Water inlet
Arrivée eau - Union de agua - Wateraansluiting

EN ISO 228-1 G 3/4

E Pressacavo entrata linea elettrica - Stopfbuchse - Electric cable stress relief
Presse étoupe de câble él. - Pisacable - Elektrische kabelwartel

S Scarico vasca - Wannenabflussrohr - Pan outlet
Vidange du bac - Descarga cuba - Water toevoer

80lt ELECTRIC MANUAL BRATT PAN WITH STAINLESS STEEL BOTTOM

CODICE
CR1139509T4W

MODELLO
DT94/10KBEI-T4W

SERIE
DIAMANTE 4.0



Possibility of setting 2 timers to control cooking. An acoustic signal warns the operator at the end of the set time.



Temperature control via touch screen and adjustment with ergonomic knob



Everything is under control, perfect results every time. Thanks to the practical display, parameter selection is quick and precise. Easy and clear temperature management, and special functions are always visible and accessible from the display.



Everything is under control, perfect results every time. Thanks to the practical display, parameter selection is quick and precise. Easy and clear temperature management, and special functions are always visible and accessible from the display.



Predisposition for core probe, for even greater cooking control. Reaching the set core temperature is signalled by an acoustic signal.



Thanks to the jet-proofing certification (IPX5) obtained through specific tests, knobs and under-knobs can be washed, without compromising functionality and safety.



Self-balancing lids.

80lt ELECTRIC MANUAL BRATT PAN WITH STAINLESS STEEL BOTTOM

CODICE
CR1139509T4W

MODELLO
DT94/10KBEI-T4W

SERIE
DIAMANTE 4.0

ACCESSORIES

CODE	MODELLO	DESCRIZIONE
CR1357499	4.0IOTPRO	PRO Subscription - Cloud
CR1357479	4.0IOTENTRY	ENTRY Subscription - Cloud
CR1166970	KS-T	Heart probe