

# 120lt ELECTRIC MOTORISED BRATT PAN WITH STAINLESS STEEL BOTTOM

CODICE  
CR1139549T4W

MODELLO  
DT96/10KBEIM-T4W

SERIE  
DIAMANTE 4.0



## GENERAL CHARACTERISTICS

Diamond 90 Touch 4.0 - Everything under control Everything is under control, perfect results every time. Thanks to the practical display, parameter selection is quick and precise. Easy and clear temperature management, and special functions are always visible and accessible from the display. Tradition and innovation, everything on your worktop A new non-slip square and rounded knob design for a more ergonomic grip and an embossed indicator that makes it easier to select the datum to be set. And with the exclusive Encoder Functionality, simply touch the parameter you want, turn the knob to adjust the level and press it to start the set datum. With water- and dirt-proof crown. Quick and precise parameter selection. Easy and clear temperature management. Special functions always visible and accessible from the display. Stainless steel outer shells and feet. Height from worktop adjustable from 840 to 900 mm. Tops with 2 mm thickness All model-identified equipment (T4W) is 4.0 Ready equipment, allowing you to benefit from all the advantages of connecting your equipment to a cloud system.

## TECHNICAL SPECIFICATIONS

- Available with iron and stainless steel tanks. ■ Robust, double-walled, self-balancing lids made of stainless steel to reduce heat loss. ■ Water loading via solenoid valve. ■ Cooking temperature controlled by thermostat with adjustment from 100 to 280°C. ■ Manual or motorised lifting. ■ Heating via armoured incoloy heating elements.

- Stainless steel cooking vessel, 10 mm thick. ■ Cooking temperature controlled by thermostat with adjustment from 100 to 280°C. Heating via armoured incoloy heating elements. ■ Industry 4.0 ready version. ■ Possibility of setting 2 timers to control cooking. ■ An acoustic signal alerts the operator at the end of the set time. ■

- Temperature control via touch screen and adjustment with ergonomic knob ■ Predisposition for core probe, for even greater cooking control. ■ Reaching the set core temperature is signalled by an acoustic signal. ■ Robust, double-walled, self-balancing lids made of stainless steel to reduce heat loss. ■ Quick and precise parameter selection. ■ Easy and clear temperature management. ■ Special functions always visible and accessible from the display. ■ Thanks to the jet-proofing certification (IPX5) obtained through specific tests, knobs and under-knobs can be washed, without compromising functionality and safety.

# 120lt ELECTRIC MOTORISED BRATT PAN WITH STAINLESS STEEL BOTTOM

CODICE  
CR1139549T4W

MODELLO  
DT96/10KBEIM-T4W

SERIE  
DIAMANTE 4.0

## Technical Information

SPECIFICATION	DATA
<b>MATERIAL</b>	<b>CR1139549T4W</b>
DEFINITION	DT96/10 KBEIM-T4W BR.120 INOX MOT.ELETTR
<b>COMMERCIAL LINE</b>	<b>DIAMANTE TOUCH</b>
SUPPLY	ELECTRICS
<b>DIM. WIDTH</b>	<b>1200 mm</b>
DIM. PRODUCTIVITY	900 mm
<b>DIM. HEIGHT</b>	<b>870 mm</b>
NET WEIGHT	210 Kg
<b>VOLUME (net)</b>	<b>0.94</b>
PACKAGE LENGTH	850 mm
<b>PACKAGE WIDTH</b>	<b>1020 mm</b>
PACKAGING HEIGHT	1050 mm
<b>PACKAGE VOLUME</b>	<b>1,500 m3</b>
GROSS PACKING WEIGHT	224 Kg
<b>STANDARD POWER SUPPLY</b>	<b>380-415V 3N</b>
FREQUENCY	50-60 Hz
<b>ELECTRICAL POWER</b>	<b>13.5 kW</b>
IP GRADE	IPX5
<b>CERTIFIED MODEL</b>	<b>DT96/10 KBEIM</b>

# 120lt ELECTRIC MOTORISED BRATT PAN WITH STAINLESS STEEL BOTTOM

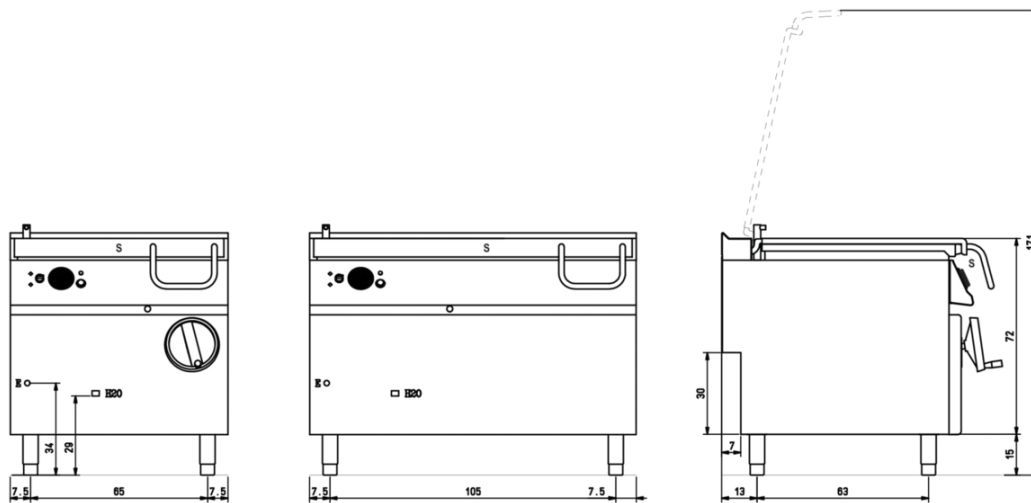
CODICE  
CR1139549T4W

MODELLO  
DT96/10KBEIM-T4W

SERIE  
DIAMANTE 4.0

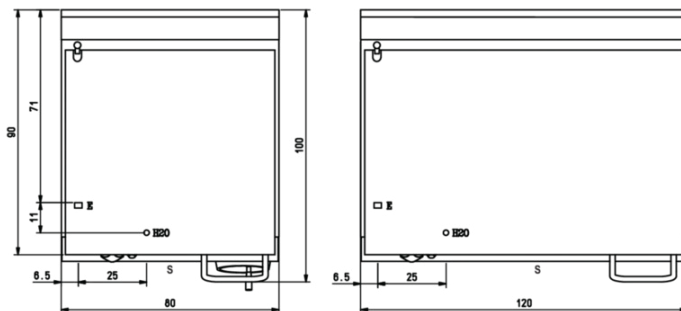
## SCHEMA DI INSTALLAZIONE - INSTALLATION DIAGRAM - INSTALLATIONSPLAN - SCHÉMA D'INSTALLATION - ESQUEMA DE INSTALACION - INSTALLATIESHEMA - IINSTALLATIONSRTNINGAR

MISURE IN cm - DIMENSIONS IN cm - ABMESSUNGEN IN cm  
MESURES EN cm - MEDIDAS EN cm - MATEN IN cm



(D) 94/10 KBE ...

(D) 96/10 KBE ...



Legenda - Legende - Key - Légende - Leyenda - Legenda

**H2O** Attacco arrivo acqua - Wasseranschluss - Water inlet  
Arrivée eau - Union de agua - Wateraansluiting

**EN ISO 228-1 G 3/4**

**E** Pressacavo entrata linea elettrica - Stopfbuchse - Electric cable stress relief  
Presse étoupe de câble él. - Pisacable - Elektrische kabelwartel

**S** Scarico vasca - Wannenabflussrohr - Pan outlet  
Vidange du bac - Descarga cuba - Water toevoer

# 120lt ELECTRIC MOTORISED BRATT PAN WITH STAINLESS STEEL BOTTOM

CODICE  
CR1139549T4W

MODELLO  
DT96/10KBEIM-T4W

SERIE  
DIAMANTE 4.0



Possibility of setting 2 timers to control cooking. An acoustic signal warns the operator at the end of the set time.



Temperature control via touch screen and adjustment with ergonomic knob



Everything is under control, perfect results every time. Thanks to the practical display, parameter selection is quick and precise. Easy and clear temperature management, and special functions are always visible and accessible from the display.



Everything is under control, perfect results every time. Thanks to the practical display, parameter selection is quick and precise. Easy and clear temperature management, and special functions are always visible and accessible from the display.



Predisposition for core probe, for even greater cooking control. Reaching the set core temperature is signalled by an acoustic signal.



Thanks to the jet-proofing certification (IPX5) obtained through specific tests, knobs and under-knobs can be washed, without compromising functionality and safety.



Self-balancing lids.

# 120lt ELECTRIC MOTORISED BRATT PAN WITH STAINLESS STEEL BOTTOM

CODICE  
CR1139549T4W

MODELLO  
DT96/10KBEIM-T4W

SERIE  
DIAMANTE 4.0

## ACCESSORIES

CODE	MODELLO	DESCRIZIONE
CR1357499	4.0IOTPRO	PRO Subscription - Cloud
CR1357479	4.0IOTENTRY	ENTRY Subscription - Cloud
CR1166970	KS-T	Heart probe