

**ecomax**<sup>TM</sup>  
by **HOBART**

**GLASS, DISH AND  
UTENSIL WASHER**



made in germany

**LOW PRICE**  
**HIGH PERFORMANCE**



# OVERVIEW OF OUR MODELS

**ecomax**<sup>™</sup>  
by **HOBART**

The entry-level models for those who search for a low-cost dishwasher for commercial use. Ideal for start-ups and companies with irregular washing frequency, who invest in a dishwasher for the first time. **ecomax** meets all requirements for hygienic wash results.

**Model G404**  
Compact glasswasher



**Model F504**  
Undercounter dishwasher



**ecomax**  
by **HOBART** **plus**

For budget-oriented operators who seek a plus for comfort and equipment. **ecomax plus** combines all the features of an **ecomax** dishwasher and offers a plus for wash power, energy efficiency, noise reduction and ease of use.

**Model G415**  
Compact glasswasher



**Model F515**  
Undercounter dishwasher



**Model F515L**  
Undercounter dishwasher  
with deeper wash chamber



**plus**

**LOW PRICE**  
**HIGH PERFORMANCE**



## ECOMAX G404 COMPACT GLASSWASHER

*The fast and reliable glasswasher in compact design. Perfect for start-ups, small bars or restaurants.*



### FEATURES

- Single-button control with digital temperature indication, 3 programmes and further special cycles
- Rotating wash and rinse arms for an even water distribution
- Indented nozzles prevent blocking
- Integrated counter for cycles and water consumption, e.g. for control of water treatment system
- Double-walled housing and door
- Deep drawn rack track for easy cleaning
- USB connection for easier service access
- Incl. connection cable, supply and drain hose for immediate operation
- Thermostop function for guaranteed temperatures
- Hygiene programme for hygienic cleanliness
- Refill signal monitors fill level of external chemical containers with optional suction lances





## ECOMAX PLUS G415 COMPACT GLASSWASHER

*The compact glasswasher  
for hotels, bars and restaurants,  
that are washing more than a  
hundred glasses a day.*

### plusFEATURES

+++ additional to ecomax +++

- + Best cleaning results thanks to additional cutlery cycle
- + Deep-drawn wash tank for easy cleaning
- + Double-walled, insulated housing and thermally insulated front door for reduction of noise and energy losses
- + Better energy efficiency saves operating costs
- + Tank strainer, coarse filter and pump suction casing secure safe operation
- + Door damping control for long life operation
- + Fully equipped with rinse pressure pump, detergent and rinse aid dispenser and drain pump



# HYDROLINE WATER TREATMENT



*Always the exactly right water quality for your application – whether your focus is on protecting your machine efficiently against limescale, or on ensuring that your wine glasses are free of stains after washing.*

### External single-chamber softener SE-H

Protects heating rods against limescale and reduces detergent consumption. Quantity-controlled automatic regeneration.

### External double-chamber softener SD-H

Protects heating rods against limescale and reduces detergent consumption. Regeneration takes place parallel to the cleaning process.

### Partial demineralisation cartridge STAR PD

Residue-free removal of hardness components from the water.

### Full demineralisation cartridge STAR EXTRA FD

Removes all minerals from the water. For brilliant wash results for glasses and cutlery.

### Reverse osmosis RO-S

Removes all minerals and particles from the water. For brilliant wash results for glasses and cutlery.

# HYLINE HYGIENE RANGE DETERGENT / RINSE AID



*Highly-concentrated liquid detergents for use in commercial dishwashers. Extremely effective and therefore economic in use. Tailor-made for **ecomax** and **ecomax plus** dishwashers.*

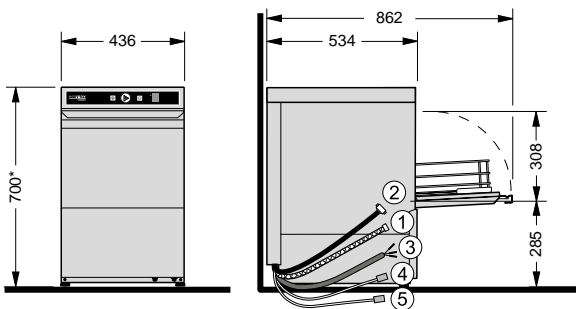
*Highly-concentrated rinse aid for use in commercial dishwashers. Makes glasses and cutlery shining and provides a spotlessly clean wash result.*



# DRAWINGS

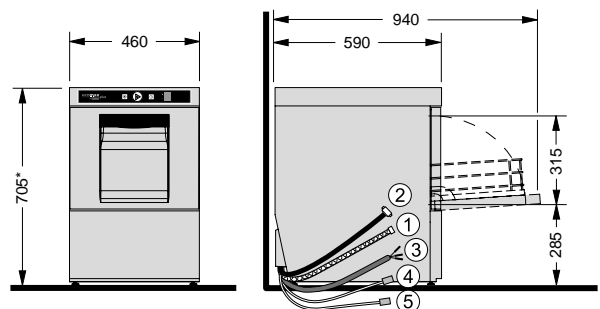
## UNDERCOUNTER GLASS AND DISHWASHERS

### Glasswasher G404



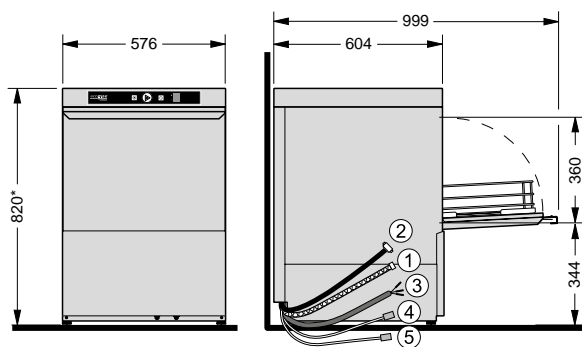
\* + 40 mm adjustable feet

### Glasswasher G415



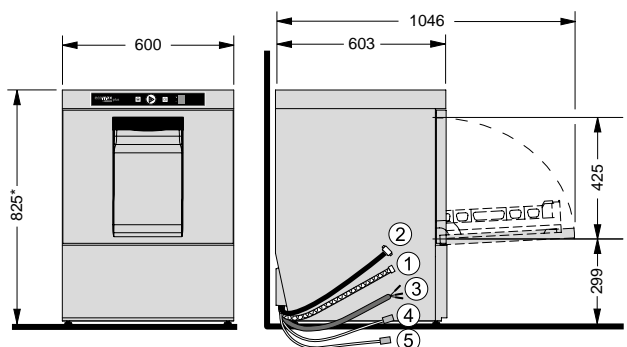
\* + 40 mm adjustable feet

### Undercounter dishwasher F504



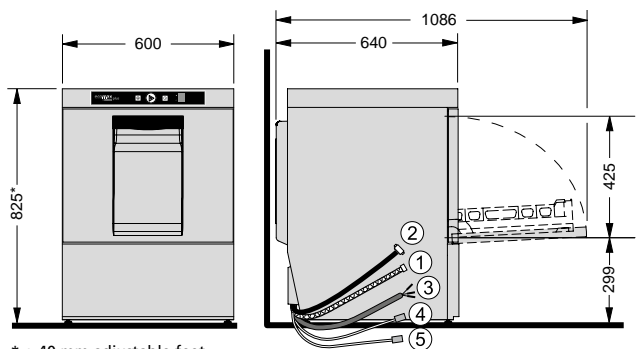
\* + 40 mm adjustable feet

### Undercounter dishwasher F515



\* + 40 mm adjustable feet

### Undercounter dishwasher F515L



\* + 40 mm adjustable feet

- ① Drain hose
- ② Supply hose
- ③ Connection cable
- ④ Liquid detergent <sup>a)</sup>
- ⑤ Rinse aid <sup>a)</sup>

<sup>a)</sup> for machines with external containers

plus



# FEATURES

MODELS	GLASSWASHER						UNDERCOUNTER DISHWASHER							
	G404 -10	G404 S-10	G404 -12	G404 S-12	plus G415 -11    G415 S-10		F504 -10	F504 S-10	F504 -12	F504 S-12	plus F515 -11    F515 S-11    F515L -11    F515L S-11			
Integrated water softener*	-	●	-	●	-	●	-	●	-	●	-	●	-	●
Double-walled housing – insulated	-	-	-	-	●	●	-	-	-	-	●	●	●	●
Double-walled housing	●	●	●	●	-	-	●	●	●	●	-	-	-	-
Deep-drawn wash tank	-	-	-	-	●	●	-	-	-	-	●	●	●	●
Door damping control	-	-	-	-	●	●	-	-	-	-	●	●	●	●
Tank strainer	-	-	-	-	●	●	●	●	●	●	●	●	●	●
Drain pump	○	○	●	●	●	●	○	○	●	●	●	●	●	●
Rinse pressure pump**	-	●	-	●	●	●	●	●	●	●	●	●	●	●
Rinse aid dispenser	●	●	●	●	●	●	●	●	●	●	●	●	●	●
Detergent dispenser	○	○	●	●	●	●	○	○	●	●	●	●	●	●
Chemical suction lances	○***	○***	○***	○***	○	○	○***	○***	○***	○***	○	○	○	○
Bottle washing system	-	-	-	-	-	-	-	-	-	-	○	○	-	-
Deeper wash chamber	-	-	-	-	-	-	-	-	-	-	-	-	●	●
Base cabinet (435 mm high) with removable door	-	-	-	-	-	-	○	○	○	○	○	○	○	○
Glass rack (4 sloped rows) 00-139321-057	●	●	●	●	-	-	-	-	-	-	-	-	-	-
Glass rack (4 sloped rows) 371450-84	-	-	-	-	●	●	-	-	-	-	-	-	-	-
Plate rack P-18-12	-	-	-	-	-	-	●	●	●	●	●	●	●	●
Cutlery box CB1	○	○	○	○	○	○	●	●	●	●	○	○	○	○
Cutlery rack with 4 boxes 01-246175-1	-	-	-	-	-	-	○	○	○	○	●	●	●	●
Universal flat rack B-00-07	-	-	-	-	-	-	○	○	○	○	●	●	●	●

\* For machine protection the water hardness should not exceed 3°dH, if higher we recommend using an integrated water softener or an external water treatment system.

\*\* Necessary flow pressure without rinse pressure pump: 2 - 6 bar. Flow pressure with integrated rinse pressure pump: 0.8 - 6 bar.

\*\*\* Available from March 2025

● Inclusive      ○ Optional

TECHNICAL SPECIFICATIONS



# TECHNICAL SPECIFICATIONS

made in germany

MODELS	ecomax <sup>™</sup> by HOBART				ecomax <sup>™</sup> plus by HOBART			
	G404	F504	H604	U704	G415	F515	F515L	H615
Cycle times*	60/120/180 s	60/120/180 s	75/150/180 s	120/240/360 s	60/120/180 s	60/120/180 s	60/120/180 s	60/90/180 s
Rack capacity	60 /h	60 /h	48 /h	30 cycles/h	60 /h	60 /h	60 /h	60 /h
Tank capacity	10 l	25 l	21 l	80 l	8 l	10.6 l	10.6 l	23 l
Water consumption	1.8 l/rack	2.0 l/rack	2.3 l/rack	4.5 l/cycle	1.8 l/rack	2.0 l/rack	2.0 l/rack	2.2 l/rack
Wash pump	0.18 kW	0.34 kW	0.4 kW	2.9 kW	0.4 kW	0.5 kW	0.5 kW	0.7 kW
Tank heating	1.8 kW	1.8 kW	2.5 kW	3.3 kW	0.8 kW	0.8 kW	0.8 kW	2.5 kW
<b>BOOSTER LOADING</b>								
Standard	1.8 kW (230 V)	5.5 kW (400 V)	6.2 kW (400 V)	9.0 kW (400 V)	2.8 kW (230 V)	6.2 kW (400 V)	6.2 kW (400 V)	6.2 kW (400 V)
Alternative	5.5 kW (400 V)	1.8 kW (230 V)	–	–	4.1 kW (400 V)	2.0 kW (230 V)	2.0 kW (230 V)	4.1 kW (230 V)
<b>TOTAL CONNECTED LOAD</b>								
Standard	2.1 kW (230 V)	5.9 kW (400 V)	6.6 kW (400 V)	12 kW (400 V)	3.2 kW (230 V)	6.7 kW (400 V)	6.7 kW (400 V)	6.9 kW (400 V)
Alternative	5.7 kW (400 V)	2.2 kW (230 V)	–	–	5.4 kW (400 V)	2.6 kW (230 V)	2.6 kW (230 V)	4.9 kW (230 V)
Rated voltage	230/50/1 (400/50/3N)	400/50/3N (230/50/1)	400/50/3N –	400/50/3N –	230/50/1 (400/50/3N)	400/50/3N (230/50/1)	400/50/3N (230/50/1)	400/50/3N (230/50/1)
Width	436 mm	576 mm	635 mm	780 mm	460 mm	600 mm	600 mm	635 mm
Depth	534 mm	604 mm	742 mm	945 mm	590 mm	603 mm	640 mm	742 mm
Height	700 mm	820 mm	1,480 (1,960) mm	1,765 mm	705 mm	825 mm	825 mm	1,510 (1,995) mm
Loading height	308 mm	360 mm	440 mm	630 mm	315 mm	425 mm	425 mm	440 mm
Rack size	390x390 mm	500x500 mm	500x500 mm	600x760 mm	400x400 mm	500x500 mm	500x500 mm	500x500 mm

\* The machine is equipped with an automatic cycle-time control which ensures hygienic rinse temperatures even on a cold-water supply or with reduced heating performance.



A registered brand of HOBART GmbH  
A company of the ITW Group

Robert-Bosch-Straße 17 · 77656 Offenburg  
info@ecomaxbyhobart.com · Phone +49 781 600-2820

[www.ecomaxbyHOBART.com](http://www.ecomaxbyHOBART.com)



The details given in this brochure are correct as of 10/2024.  
We reserve the right to technical or design modifications.

