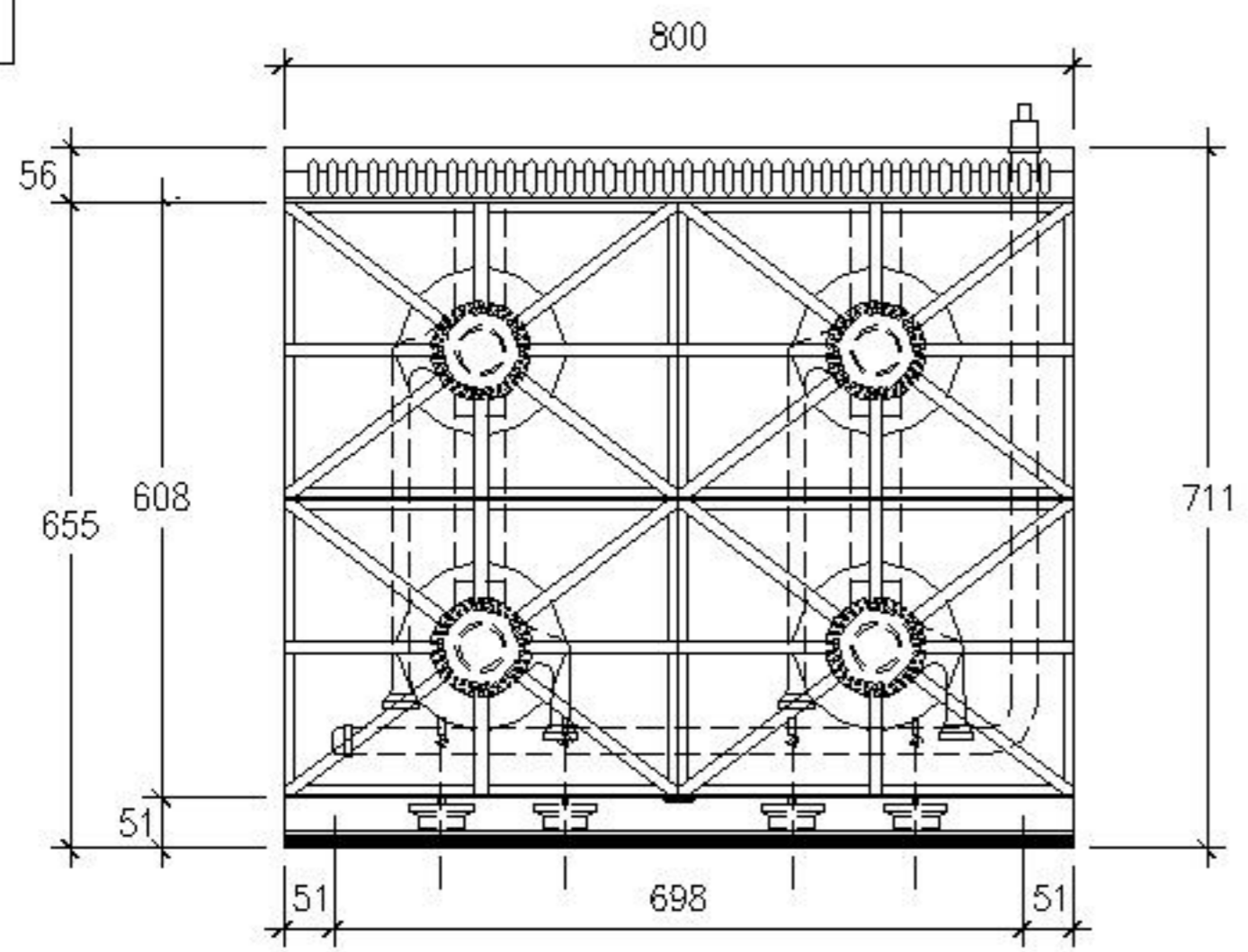
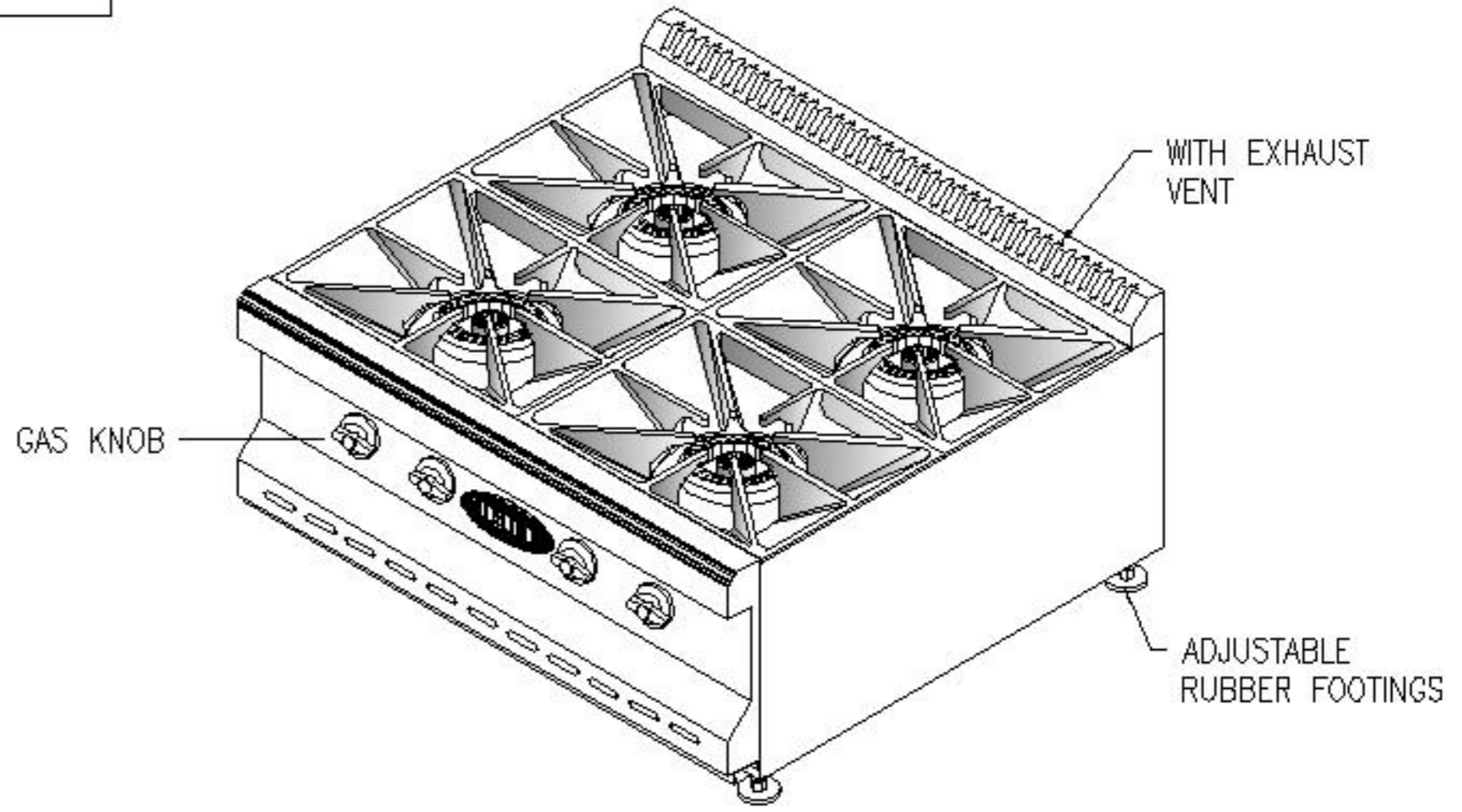


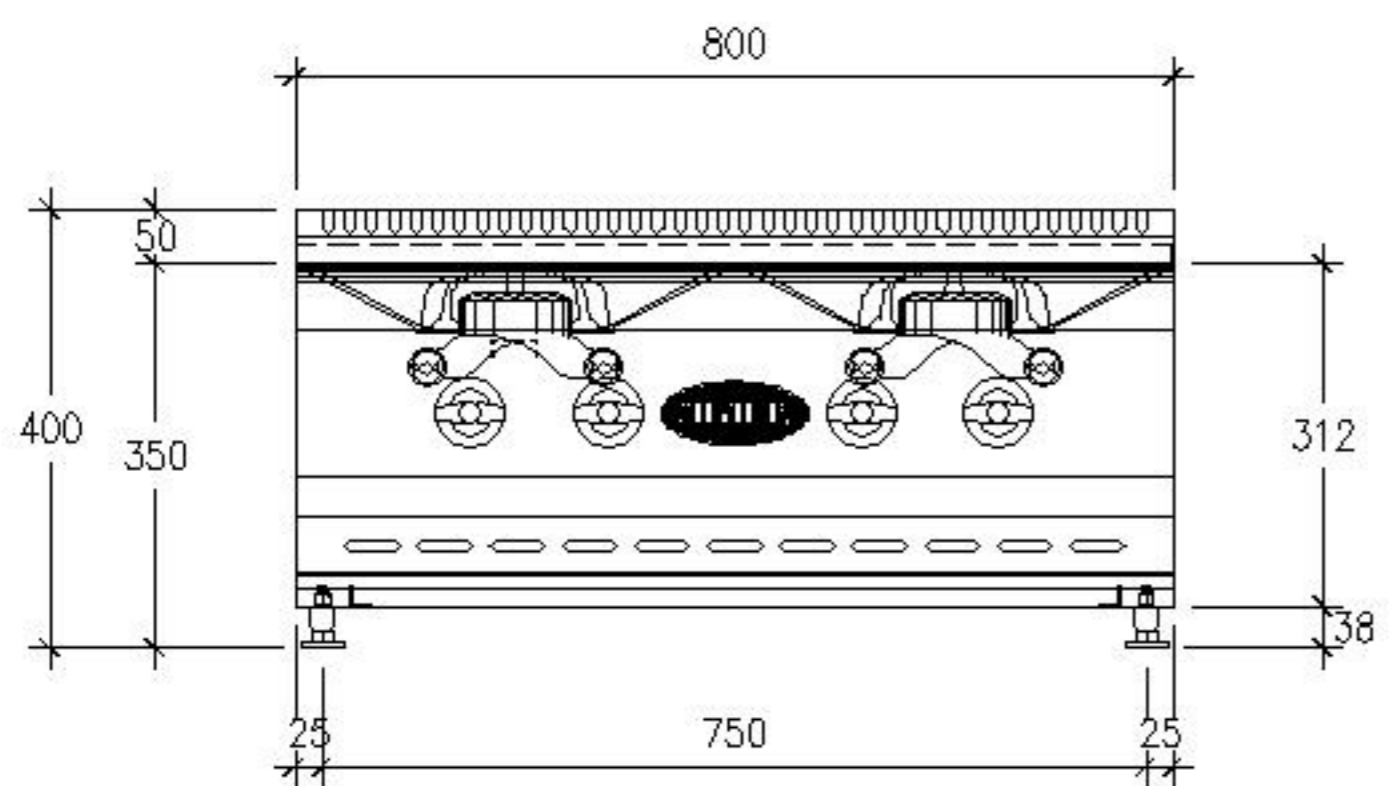
TOP VIEW



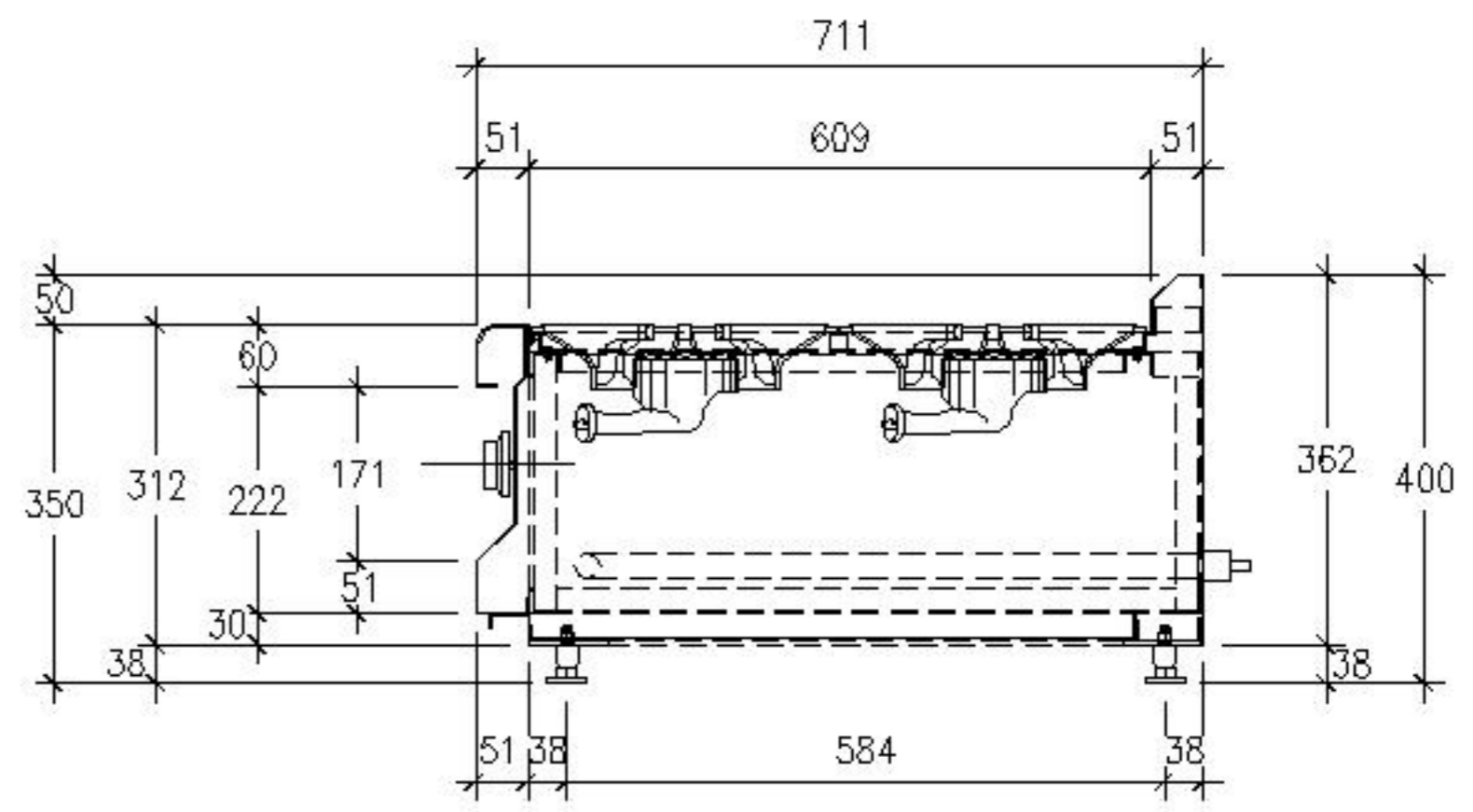
ISOMETRIC



FRONT VIEW



SECTION SIDE VIEW



GENERAL SPECIFICATIONS:



1.	12 GA. S/S ANGLE BASE LEGS	
2.	16 GA. S/S TOP FRAME MID. SUPPORT	
3.	16 GA. S/S TOP FRAME & REMOVABLE FRONT NOSING	
4.	20 GA. S/S LOWER FRONT PANEL	
5.	20 GA. S/S CONTROL PANEL & SIDE PLATE	
6.	20 GA. S/S DRIP PAN SLIDES	
7.	20 GA. S/S BACK PLATE & REMOVABLE BACK SPLASH	
8.	22 GA. S/S DRIP PAN HANDLE	
9.	16 GA. GL. BURNER HOLDER	
10.	22 GA. GL. DRIP PAN PLATE	
11.	25mm X 25mm x 3mm.THK. M.S. ANGULAR FRAMING	

GENERAL SPECIFICATIONS:



12.	(4) PCS. BIG YOTO BURNER - 27,000 BTU/HR. EACH	
13.	(4) PCS. PILOT BURNER	
14.	(4) PC. GAS VALVE WITH THERMOCOUPLE	
15.	(4) PCS. HEAVY DUTY GAS KNOB	
16.	(4) PCS. ADJUSTABLE FOOTINGS	
17.		
18.		
19.		
20.		
21.		
22.		

DRAWING REVIEW

Submission Date: \_\_\_\_\_

APPROVED

APPROVED SUBJECT TO COMMENTS  
RESUBMISSION NOT REQUIRED

NOT APPROVED, RESUBMIT AS NOTED

Approved by: \_\_\_\_\_

Date returned to contractor: \_\_\_\_\_

Client's approvals apply to method of construction and material specification only. Contractor is responsible to ensure all dimensions are verified to suit site conditions and fabricated accordingly.

PROJECT	" ASIA FOOD EXPO "		
	( S.J.O: 0072-15 )		
ITEM	2	4-OPEN RANGE BURNER ( Counter Top )	
Project Ref #	-	Date	SEPT. 22, 2015
Designed by	-	Revision	-
Drawn by	ACE	Rev. Date	-
Verified by	-	Scale	NOT TO SCALE
Approved by	-	Quantity	1 - UNIT

